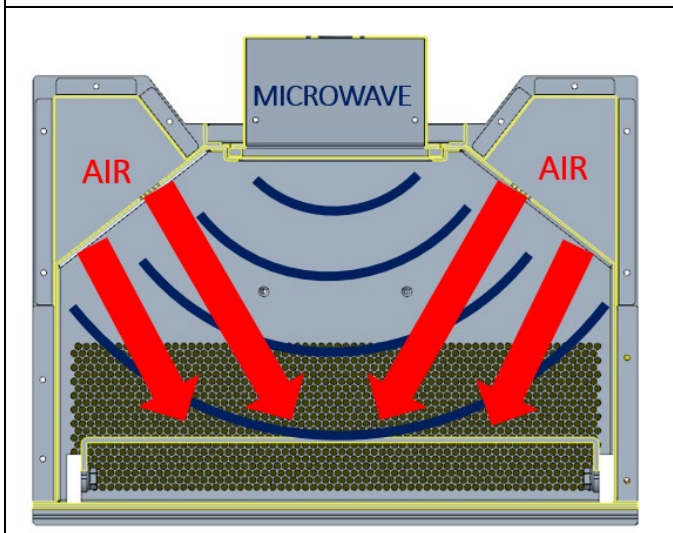




The MiSA™ -a12



Air + Microwave = Improved Rapid Cook



SHORT FORM SPECIFICATIONS: Provide Ovention MiSA™-a12 Microwave and Convection Oven, electric, certified ventless, 13.6x5.4" cavity, capacitive touch screen display with security passcode and countdown timer, USB menu load capability, one 1/3HP variable-speed motor, internal catalytic filtration, removable filters, stainless steel door, 304 stainless steel interior, 430 stainless steel top, sides & back, 4" optional legs, 2060 W microwave power, 5200 W Convection power, 208-240v/60/1-ph, 24 amps, NEMA 6-30-P, UL Listed, UL EPH Classified, Made in USA.

STANDARD FEATURES

- ✓ Temperature range: 200°F-525°F
- ✓ Highest convection heat, largest cavity volume, and quietest work environment in its market segment (68 dB)
- ✓ Full-color 7" touchscreen display with passcode
- ✓ Low energy consumption
- ✓ Microwave stirrers to evenly distribute microwave
- ✓ Patent pending cook plate technology gives even browning to the bottom of food products
- ✓ 176.1 square inch cavity offers more usable space

OPERATION

- ✓ USB port - upload and download recipes, view cook logs, diagnostic mode
- ✓ 1,000+ recipes
- ✓ Recipes up to three stages with variable time, temperature, blower speeds, and microwave power during each stage

PERFORMANCE

- ✓ Smallest footprint rapid cook that accommodates a ¼ size sheet pan (9"x13") and 12" pizza
- ✓ Adaptive voltage sense that adjusts to the incoming power supply
- ✓ Up to 10 times faster than conventional ovens
- ✓ Use any oven-safe pans. Accessory pans available for scoring products or cooking specialty items

CONSTRUCTION

- ✓ 304 stainless interior, 430 stainless exterior
- ✓ Easy to clean design: Filters are dishwasher safe, trays are removable for easy cleaning
- ✓ PTFE lined (nonstick) cavity

VENTILATION

- ✓ No hood system required*
- ✓ Performs 3x better than the required UL grease emission standard

*Type 2 hood necessary if HVAC cannot accommodate thermal load

PROUDLY MADE IN THE USA



Ask about our **anti-microbial powder coat** - standard for all available colors

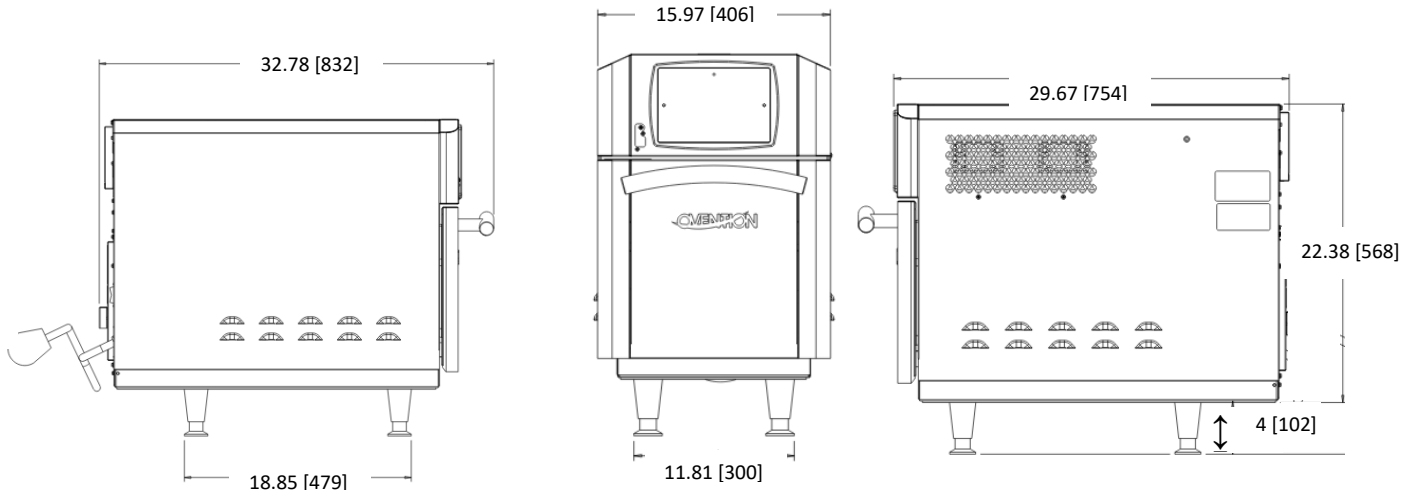


OventionOvens.com | 855.298.6836 | connect@ventionovens.com

Search Ovention to download our app.

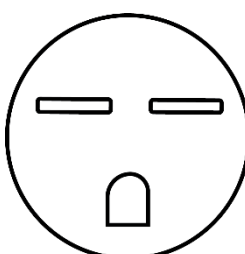


The MiSA™ -a12 Oven



Measurement Units: Inches [Millimeters]

DIMENSIONS		
Height	22.38"	568 mm
With Legs (Optional)	26.38"	670 mm
Width	15.97"	406 mm
Depth	29.67"	754 mm
Cord Length	72"	1829 mm
CAVITY DIMENSIONS		
Height	5.41"	137 mm
Width	12.90"	327 mm
Depth	13.56"	344 mm
Weight	205 LB	93 Kg
Minimum Clearance	0" Left	0 mm Left
	0" Back	0 mm Back
	0" Right	0 mm Right

ELECTRICAL SPECIFICATIONS			
Model Number	MiSA-a12		
Temperature	200-525 °F	149-274° C	
Voltage	208-240V	 <p>NEMA 6-30</p>	
Amperage	19-24 A		
Phase	1		
Frequency	60 Hz		
Microwave Power*	2060W		
Convection Power*	5200W		
Nominal Microwave Frequency	2450 MHz		
Combination Power Output	3952-5760W		
SHIPPING			
Cube (LxWxH)	39x31x35"		990x787x889 mm
Shipping Weight	214 lb	97 kg	
Freight Class	110		
Point of Origin	Sturgeon Bay, Wisconsin, USA		

*This is NOT power consumption **Ovention, Inc. reserves the right to make technical improvements



OventionOvens.com | 855.298.6836 | connect@ventionovens.com

Search Ovention to download our app.

